

LW 35218



LEADWARRIOR
HISTORICAL MINIATURE

WWW.LEADWARRIOR.COM
INFO@LEADWARRIOR.COM

CO₂ - LOSCHKARREN

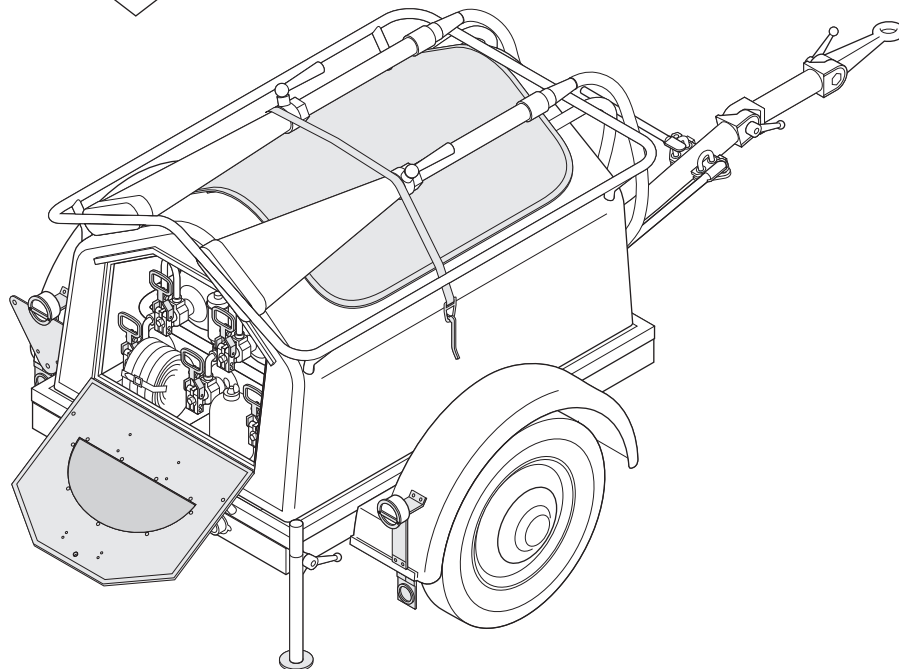
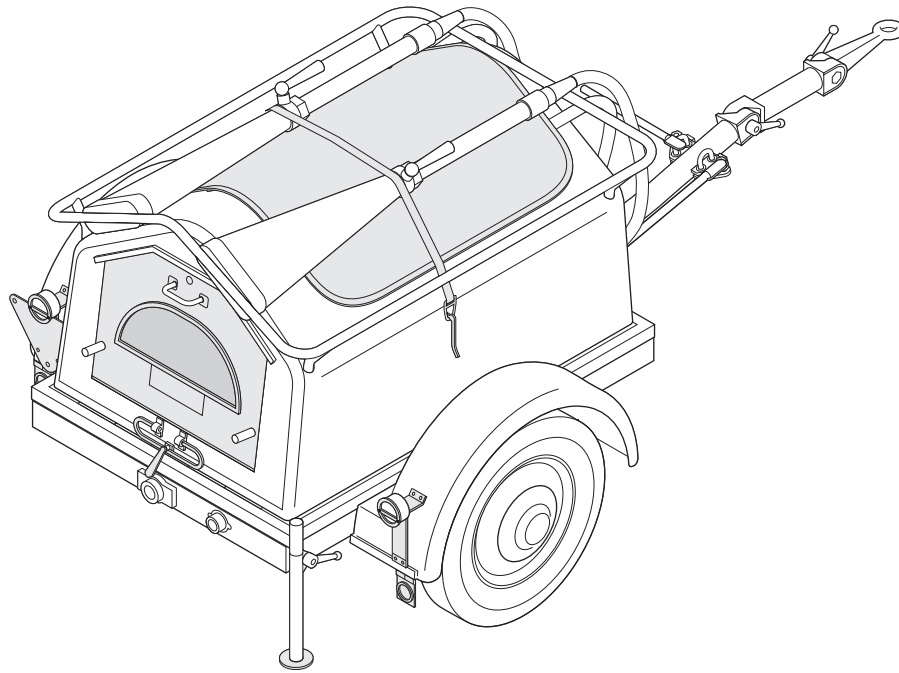
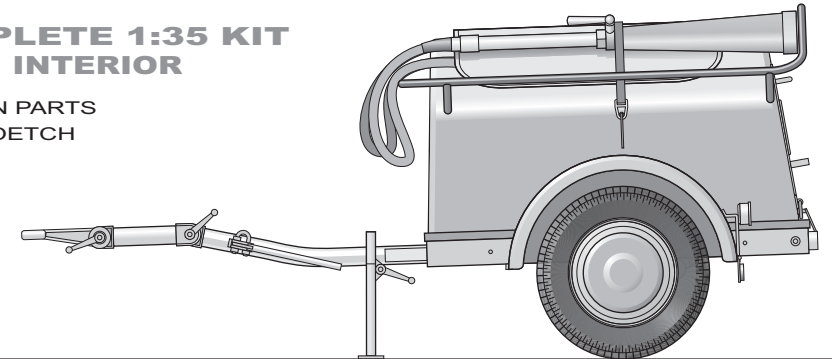
auf Anhängerfahrgestell A1

GERMAN WWII FIRE FIGHTING TRAILER

LUFTWAFFE

**COMPLETE 1:35 KIT
WITH INTERIOR**

51 RESIN PARTS
+ PHOTOETCH

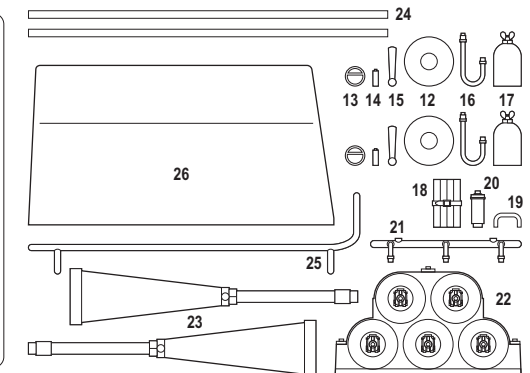
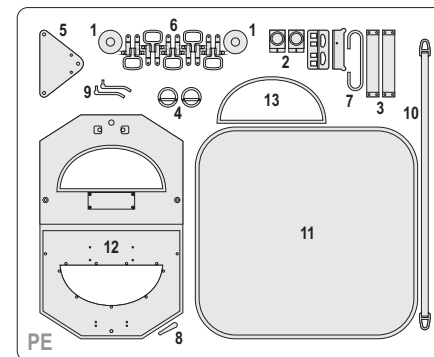


The CO₂ Löschgerät auf Anhängerfahrgestell A1 - CO₂ fire extinguisher on trailer chassis A1 - was used by the Luftwaffe units to fight fires of the aircrafts, electrical installations, and other devices, where water and foam was not an option.

The extinguisher comprised five CO₂ bottles installed in the superstructure, and connected by the common collector. The two branchpipes were located in special mountings on the roof of the superstructure.

The device was mounted on the Anhängerfahrgestell A1 - the type A1 single-axle light trailer chassis - which was designed for Luftwaffe before the war, and could be towed by Kfz.343 Fire Engine (Lw35227 kit), or by any motor vehicle.

This kit presents the variant of the trailer with regular wheels, while the Eisenrad (700mm. Steel Wheels), and the Schneekufen (Snow Skids) could be used as an option (Lw35219 kit).



LW 35218

WWW.LEADWARRIOR.COM

INFO@LEADWARRIOR.COM

COPYRIGHT 2022

